

GSK

Fully Automatic Solder Paste Printer

Technical Specification



Machine Performance	
Repeat Position Accuracy	$\pm 12.5\mu\text{m}@6\sigma$ CPK ≥ 2.0
Print Accuracy	$\pm 22\mu\text{m}@6\sigma$ CPK ≥ 2.0
NCP-CT (Cleaning and printing not included)	7s
HCP-CT (Cleaning and printing included)	18s/pcs
Processes CT	4min
Switching lines CT	2min
Substrate processing parameter	
Maximum board size	400*340mm Scalable: 530*340mm (Options)
Minimum board size	50*50mm
Board thickness	0.4~6mm
Camera Mechanical range	528*340mm
Maximum board weight	4kg
Board edge clearance	2.5mm
Board height	15mm Beyond the special top pin
Transport speed	900 \pm 40mm
(Max) Transport speed	Segment control, 1500mm/s. (Max)
Transport direction	One stage
Transmission direction	Left to right
	Right to Left
	In and out the same
Support System	Magnetic Pin
	Support Block
	Manual Up-down table
Board clamp	Manual the top clamping
	Side clamping

Printing Parameters	
Print Speed	10~200mm/sec
Print Pressure	0.5~10Kg
Print Mode	单或双刮刀印刷 One/ Twice
Queegee Type	胶刮刀 / 钢刮刀 (角度 45/55/60) Rubber/Squeegee Blade (angle 45/55/60)
Snap-off	0~20mm
Snap-Speed	0~20mm/sec
The template frame size	470*370mm~737*737mm(Thickness: 20-40mm)
Positioning mode of steel mesh	Automatic Y-direction positioning
Cleaning Parameters	
Cleaning System	Dry, Wet Vacuum three modes
High speed cleaning	Integrated & weave cleaning
Cleaning system	Side spray type
Cleaning stroke	Automatic generation
Cleaning position	Post cleaning
Cleaning Speed	10-200mm/sec
Cleaning fluid consumption	Auto & Manually adjustable
Cleaning consumption	Auto & Manually adjustable
Vision Parameters	
CCD FOV	10*8mm
Camera type	130 Thousand CCD Digital camera
Camera System	Lock up/down optics structure
Camera Cycle time	150ms
Fiducial mark types	Standard Fiducial Mark Shape
	round, square, diamond, cross
	Pad and profile
Mark size	0.3-6mm
Mark number	Max: 4pcs
Stay away number	Max: 1pcs

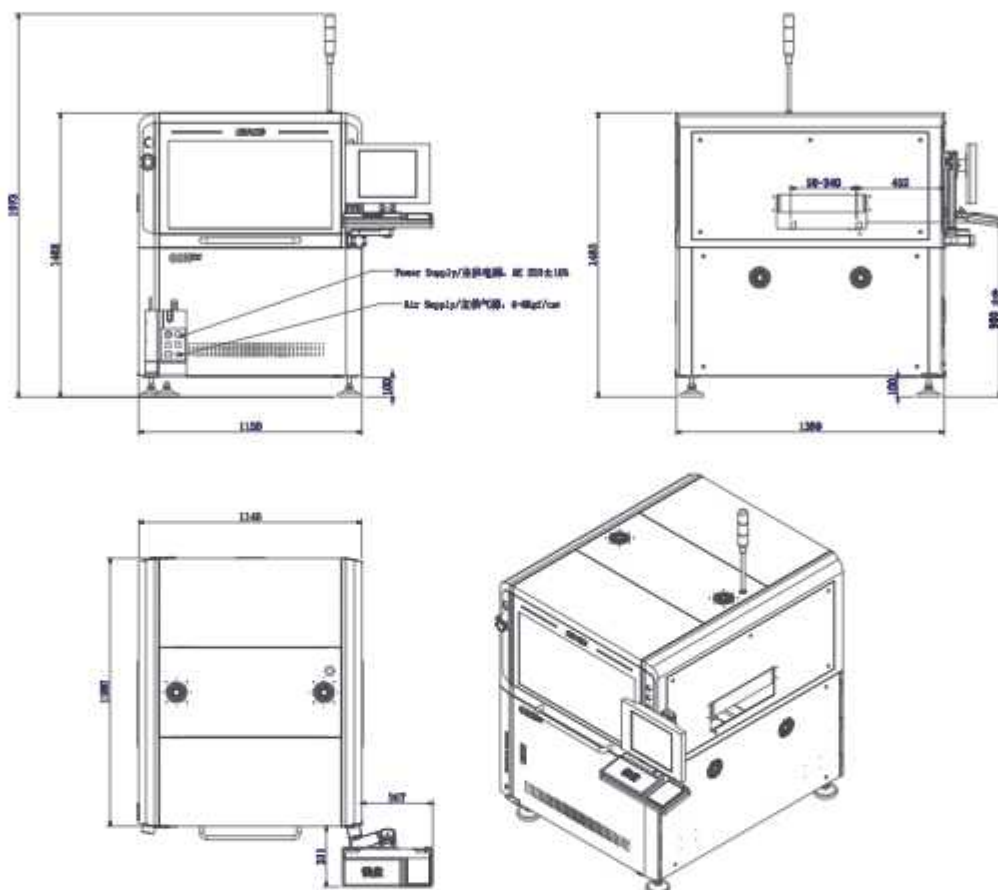
Machine parameter	
Power Source	AC:220 ±10%, 50/60Hz 2.2KW
Air Pressure	4~6Kgf/cm ²
Air Consumption	Approx 5L/min
Operating Temperature	-20°C~+45°C
Working environment humidity	30%~60%
Machine dimension (without Tower light)	1460 mm
Xdirection MachineLength	1150 mm
Ydirection Machine Width	1380 mm
Machine Weight Approx	Approx: 900Kg
Equipment load bearing requirements	650Kg/㎡

⚠ Declaration: GKG reserves the right to modify the technical parameters without prior notice, please consult the factory for specific specifications.

附录

一、设备本体

1. 设备型号: GSK
2. 设备尺寸: 1380(正面长) * 1150(侧面纵深) * 1460(高度)mm



3. 主供电源: AC: 220±10%, 50/60HZ 3KW 具有额定电流的稳定电源, 插头类型: 英制。电气接口如上图所示:
4. 主供气源: 稳定的压力为 4.0 ~ 6kgf/cm² 的工业气源, 气管直径6mm/8mm/10mm/12mm 气管前接头通用型, 后接头只要与气管尺寸配套即可
5. 机器重量: 约900Kg

二、设备使用环境

1. 车间温度: -20°C ~ +45°C
2. 车间湿度: 30-60%
3. 静电防护: 需要ESD 接地及静电防护
4. 楼板承重: 如设备使用不在平地一层, 请注意楼板承重, 承重须 ≥ 650kg/m²